

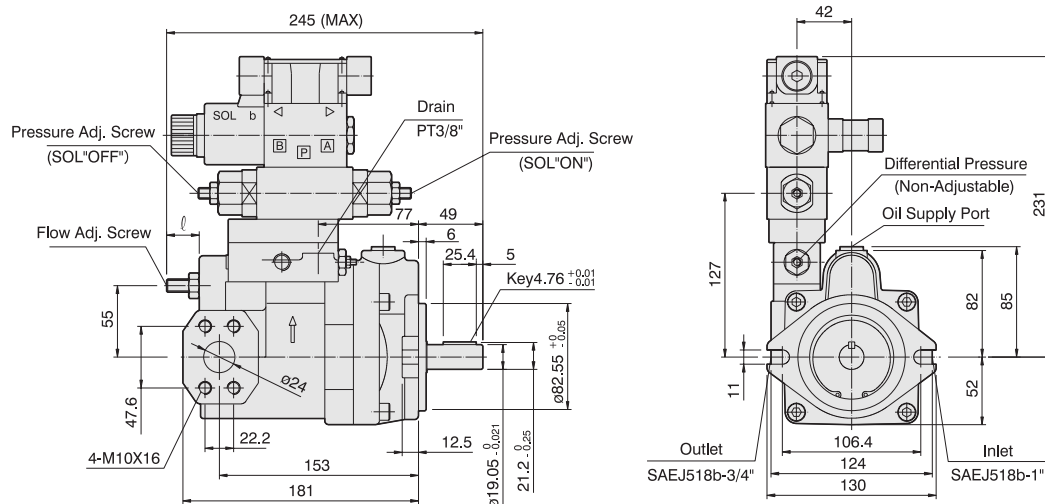
TWO PRESSURE CUT-OFF CONTROL TYPE

P16-E3-F-R-01

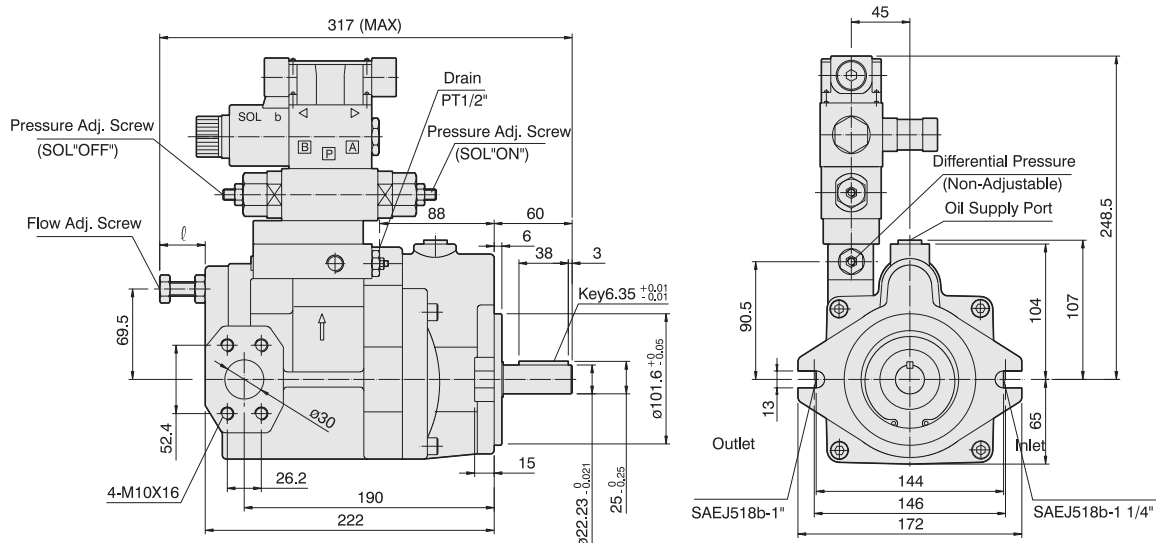
Design code		
Rotation	R : Clockwise(CW)	
Mounting	F : Flange mounting	L : Foot mounting
Pressure adj. range	2 : 30~145 kgf/cm ²	3 : 30~215 kgf/cm ²
Two pressure cut-off control type		
Displacement	08,16, 22, 36, 46, 70, 100, (cm ³ /rev)	



P16-E-TYPE / P22-E-TYPE

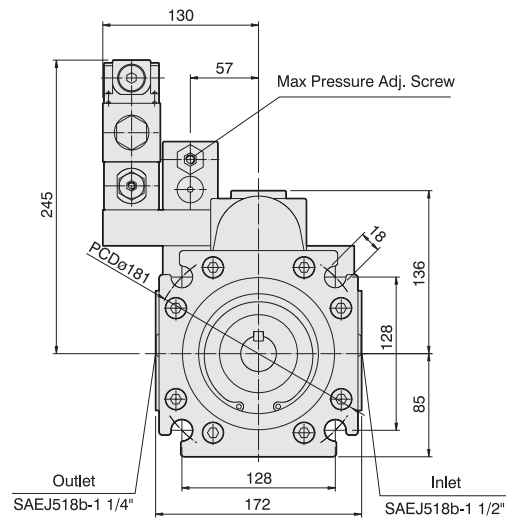
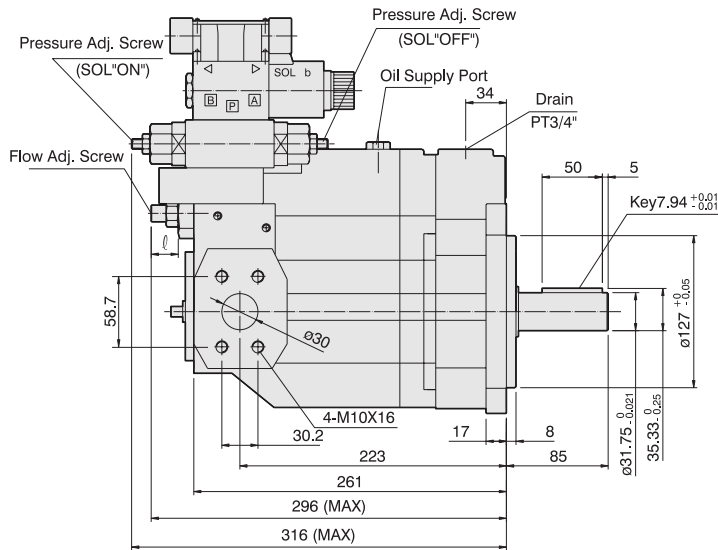


P36-E-TYPE / P46-E-TYPE



TWO PRESSURE CUT-OFF CONTROL TYPE *KCL*® world-best-pumps HYDRAULIC EQUIPMENTS

P70-E-TYPE



P100-E-TYPE

